



**CES-EX-GB-02 Series
LED Explosion proof High Bay Light**

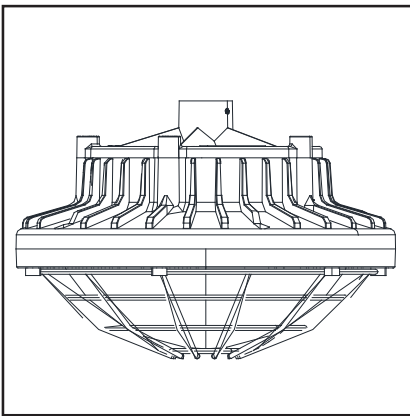
CESP
hazardous locations



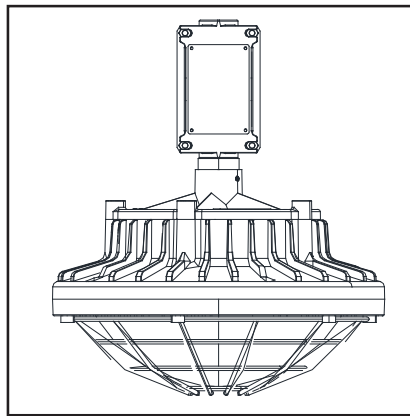
- Available from 30W (3,600lm) - 200W (24,000lm)
- Offered with 5 mounting options: Ceiling mount, Drop mount, Wall mount, U-Bracket mount, Pole mount
- 1-10V Dimming is available (dimming and non-dimming optional)
- Motion sensor, photocell and Controller options are available
- 50,000+ hours LED lifespan



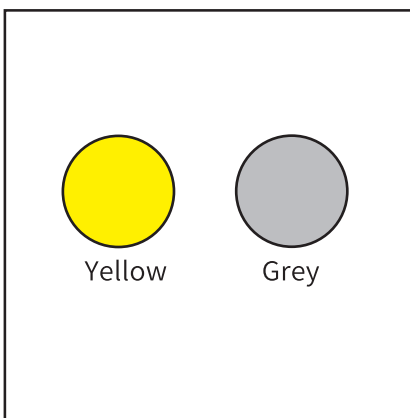
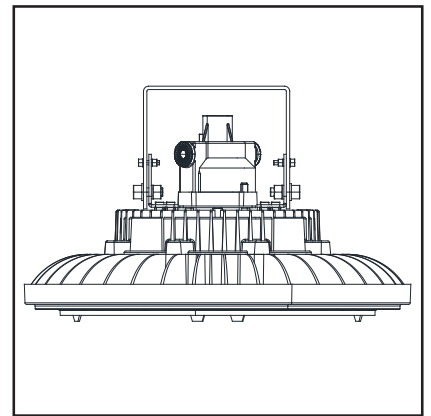
- **IP66, Damp and Wet Locations;**
- **UL 844, UL1598, UL8750, CSA C22.2 No.137;**
 UL Marking: Class I, Division 2, Groups A, B, C and D;
 Class II, Division 2, Groups F and G;
 Class III;
- **IEC/EN 60079-0, 7, 28, 31;**
 Ex Mark: II 3G Ex ec op is IIC T* Gc
 II 3D Ex tc op is IIIC T* Dc



Offer several mounting options to support a variety of applications.



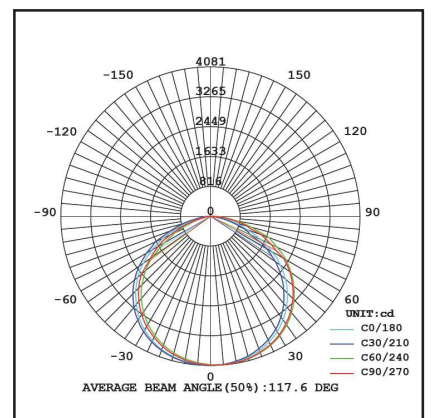
(30~80W) Junction box optional



Yellow/grey available (grey has no texture)



The CESP is a complete cutoff, fully shielded area light that minimizes glare, while reducing light trespass. (The maximum luminous beam angle 120°)



Photometric Data (120°)

Specifications

UL, ATEX & IECEx:

Suitable for wet locations

Operating temperature: -40°C to +50°C (-40°F to 122°F)

LEDs:

Long-life, high-efficiency, surface mount LEDs

Drivers(s):

Class 2, 50/60Hz. 100 - 277V, 4kV standard, 6kV optional surge protection

Lifespan:

50,000+ hours LED lifespan based on IES LM-80 results & TM-21 calculations at 25°C, and ERP>6000h

IP Rating:

IEC60598 Ingress Protection rating of NEMA 4/4X (IP66) for dust and water

Housing:

Die-cast aluminum housing

Mounting:

U-Bracket, slipfitter or wall mount options available

Lens:

High transmittance tempered glass

Effective Projected Area:

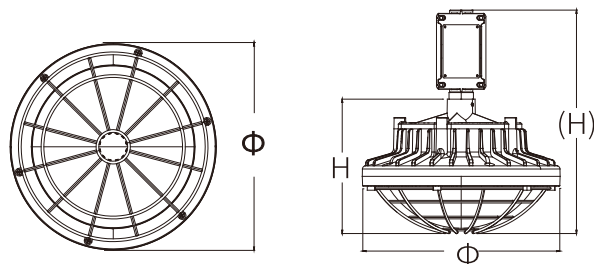
EPA = 0.61

Vibration Rating:

3G vibration tested per ANSI C136.31 and IEC60598

Dimming Driver:

Driver includes dimming control wiring for 1-10V dimming systems. Requires separate 1-10V DC dimming circuit. Dims as low as 10%. (Optional dimming and non-dimming)



CES-EX-GB-02-(30~80W)
Junction box optional

CCT:

Available in 3000K, 4000K, 6500K color temperature

CRI:

CRI \geq 70

Beam angle:

Standard distribution is NEMA high/low bay lights (Type5)

Color Stability:

LED color temperature is warranted to shift no more than 200K in CCT over a 5-years period

Color Uniformity:

CESP's range of CCT (Correlated Color Temperature) follows the guidelines of the American National Standard for Specifications for the Chromaticity of Solid State Lighting (SSL) Products, ANSI C78.377-2017.

Finish:

Formulated for high durability and long-lasting color

Green Technology:

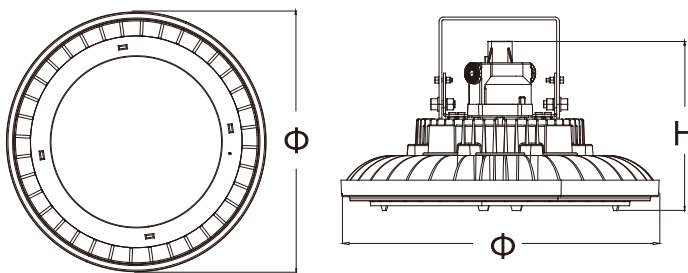
Mercury and UV free. RoHS-compliant components

IESNA LM-79 Testing:

CESP LED luminaires have been tested by an independent laboratory in accordance with IESNALM-79 and IEC60598

Product size:

Series models	Size(Φ*H)
CES-EX-GB-02-30/40XXXX	Φ200*157(292) mm/Φ7.9*6.2"(11.5")
CES-EX-GB-02-60/80XXXX	Φ300*204(339)mm/Φ11.8*8"(13.3")
CES-EX-GB-02-100~200XXXX	Φ460*243mm/Φ18.1*9.6"



CES-EX-GB-02-(100~200W)

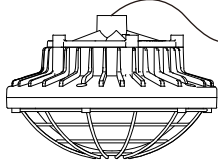
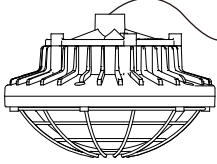
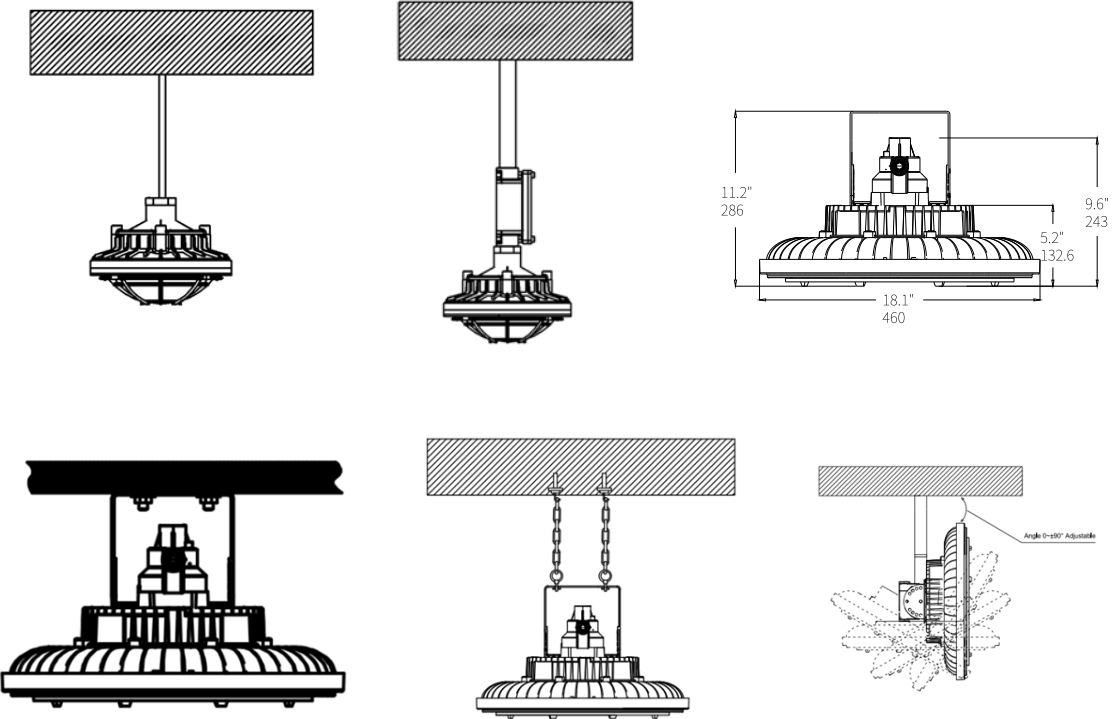
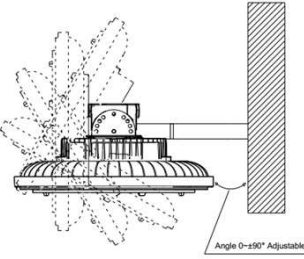
Performance and Packaging

Performance

Product Model	CES-EX-GB-02-30/40XXXX	CES-EX-GB-02-60/80XXXX	CES-EX-GB-02-100~200XXXX
Type	LED Explosion proof High Bay Light		
Mounting	(30W~80W) Ceiling mount/Drop mount/Wall mount/Pole mount (100W~200W) Ceiling mount/Drop mount/Wall mount/Pole mount/U-Bracket mount		
Power (W)	30/40	60/80	100/120/150/185/200
Voltage - Frequency	100-277Vac 50-60Hz		
Color Temp	5000K (Provides 2700K to 6500K)		
CRI (Ra) (typ.)	≥70		
Luminous Flux (lm)	120lm/W		
Bare Lamp efficacy (LPW)	120		
Beam Angle	120°		
Power Factor	>0.95		
Rated Lifetime - L70 (hrs.)	50,000		
Product Size	Φ200*157(292) mm/ Φ7.9*6.2"(11.5")	Φ300*204(339)mm/ Φ11.8*8"(13.3")	Φ460*243mm/ Φ18.1*9.6"
Housing	ADC12 Aluminum+Tempered glass		

Product Model	Product Size	Carton Size	QTY/CTN	Net Weight	Gross Weight
CES-EX-GB-02-30XXXX	Φ200*157(292) mm/Φ7.9*6.2"(11.5")	600*260*330mm/23.6*10.2*13"	1	4kg/8.8 lbs	4.6kg/10.1lbs
CES-EX-GB-02-40XXXX	Φ200*157(292) mm/Φ7.9*6.2"(11.5")	600*260*330mm/23.6*10.2*13"	1	4kg/8.8 lbs	4.6kg/10.1lbs
CES-EX-GB-02-60XXXX	Φ300*204(339)mm/Φ11.8*8"(13.3")	810*760*420mm/31.9*29.9*16.5"	1	7kg/ 15.4lbs	8kg/17.6lbs
CES-EX-GB-02-80XXXX	Φ300*204(339)mm/Φ11.8*8"(13.3")	810*760*420mm/31.9*29.9*16.5"	1	7kg/ 15.4lbs	8kg/17.6lbs
CES-EX-GB-02-100XXXX	Φ460*243mm/Φ18.1*9.6"	880*520*350mm/34.6*20.5*13.8"	1	13kg/ 28.7lbs	14.4kg/31.7lbs
CES-EX-GB-02-120XXXX	Φ460*243mm/Φ18.1*9.6"	880*520*350mm/34.6*20.5*13.8"	1	13kg/ 28.7lbs	14.4kg/31.7lbs
CES-EX-GB-02-150XXXX	Φ460*243mm/Φ18.1*9.6"	880*520*350mm/34.6*20.5*13.8"	1	13kg/ 28.7lbs	14.4kg/31.7lbs
CES-EX-GB-02-185XXXX	Φ460*243mm/Φ18.1*9.6"	880*520*350mm/34.6*20.5*13.8"	1	13kg/ 28.7lbs	14.4kg/31.7lbs
CES-EX-GB-02-200XXXX	Φ460*243mm/Φ18.1*9.6"	880*520*350mm/34.6*20.5*13.8"	1	13kg/ 28.7lbs	14.4kg/31.7lbs

Mountings Dimensions

<p>Wire colour</p>	<p>UL:</p>  <p>L: white G: green N: black</p>	<p>ATEX: IECEX:</p>  <p>L: brown G: Yellow-green N: blue</p>
<p>Top loading</p>		
<p>WM - Wall Mount</p>	 <p>Angle 0-150° Adjustable</p>	
<p>PA - Stanchion mount</p>	