



SPECIFICATION FOR APPROVAL

CUSTOMER _____
MODEL NO. **AT-GYD680 SERIES**
PART NO. _____
APPLICATION _____
ISSUE DATE _____
REV. NO. _____
REV.DATE **2020.11.11**

FOR CUSTOMER APPROVAL	CHECKED BY
	Ann
	APPROVED BY





■ Features:

- Zone 1&2, Zone 21&22
- Instant on crisp white light output
- High efficiency drivers and LEDs provide, low cost operation in harsh and heavy industrial applications
- Isolated LED compartment reduces temperature within driver housing
- Multi choice of beam angle for 45° 90° 120°

Applications

- Typical applications include:
- Oil and gas industries
- Chemical, petrochemical
- Pharmaceutical industries
- Pulp and Paper
- Waste and sewage treatment
- Power Generation

Standard Materials

- Housing: Die-casting aluminum
- Exterior: Stainless steel
- Globe: Tempered glass
- Gasket: Silicon rubber

Certifications

ATEX
CNEX
CE
RoHS
ISO9001

AT-GYD680


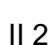
GYD6801



GYD6802



Explosion protection

European (ATEX) Gas and Dust	CE 1282  II 2G Ex d IIC T6 CE 1282  II 2D Ex tb T80°C
For use in	Zone 1, 2 & Zone 21, 22

Electrical data

Rated voltage	100-240VAC, 50-60Hz
Power factor	>0.95
THD	<20%

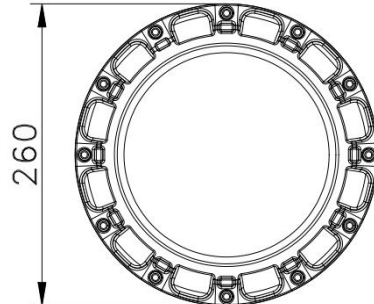
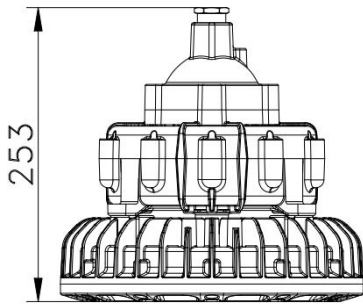
Luminous characteristics

Power consumption [W]	20-100W	120-160W
Colour rendering [CRI]	70 (±2)	
Colour temperature [K]	5500-6000K	
Luminaire efficiency [Lm/W]	120-130	
Beam angle	120° (45°, 90° is optional)	

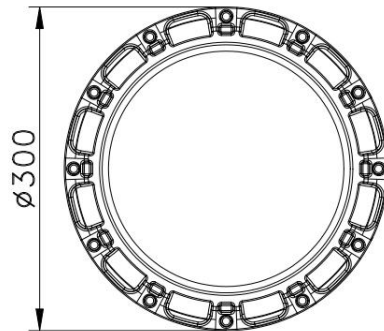
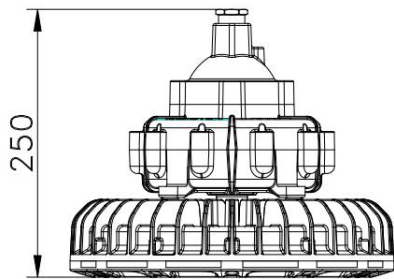
Mechanical data

Degree of protection	IP66	
Cable entry	G 3/4" ; NPT3/4"	
Dimension[mm]	260*260*250	300*300*250
Weight [kg]	7.25	8.6
Terminal	≤2.5 mm ²	
Mounting Styles	Ceiling; Wall Bracket; Pendant	

Dimension

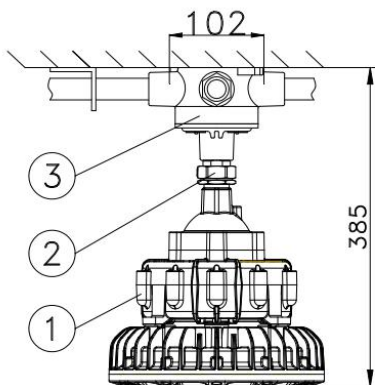


GYD6801

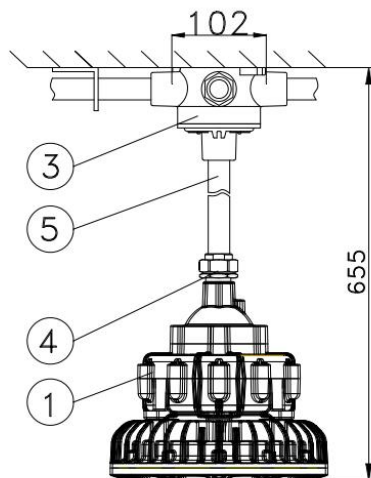


GYD6802

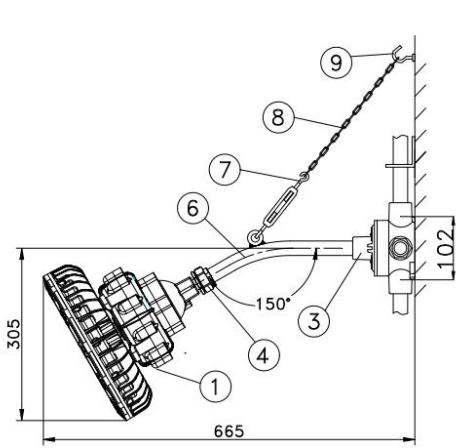
Installation



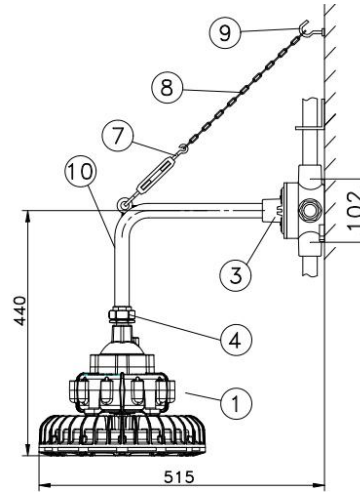
Ceiling Mount



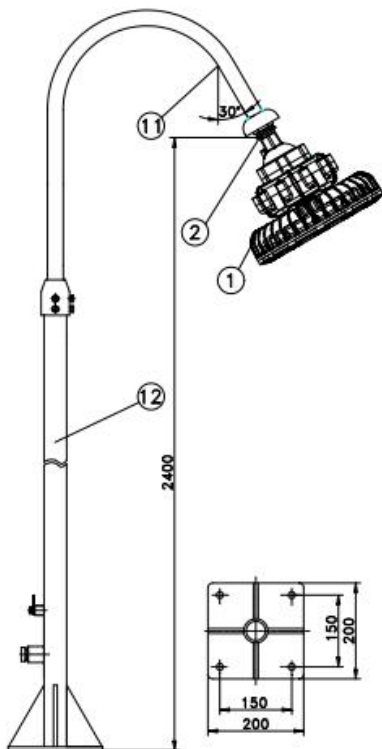
Pendant



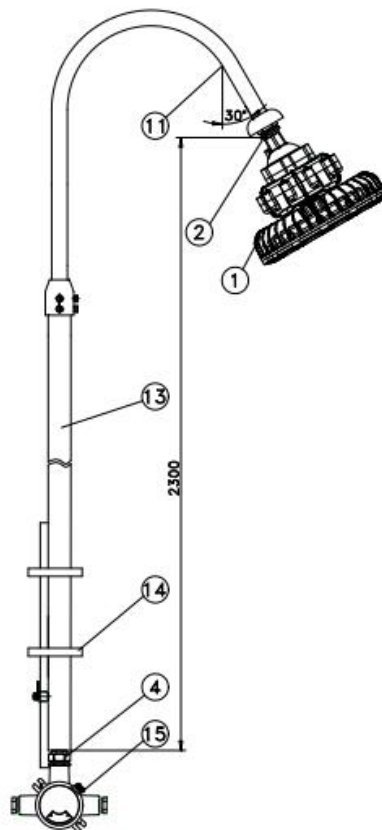
Wall Mount



Wall Mount II



Stanchion I



Stanchion II