

Doc. No.			
Version:1.0	Audit No.: 0	In Total 8 Pages	1/8

PRODUCT SPECIFICATION



Model	OHBF8231	Formulate	Fengze Lv
Product name	LED Explosion proof light	Proofreading	Ji Yang
Jiangsu Ouhui Lighting Co.,Ltd.		Review	Dongyang Wu
		Approve	
		date	2019.05.30

Doc. No.			
Version:1.0	Audit No.: 0	In Total 8 Pages	2/8

CONTENTS

- 1.Pictures 3**
- 2.Features 4**
- 3.Product Parameters 5**
- 4.Test Report 6**
- 5.Dimensions 6**
- 6.Install 7**
- 7.Packaging Logistics 7**
- 8.Caution 8**

Doc. No.			
Version:1.0	Audit No.: 0	In Total 8 Pages	3/8

1.Pictures



Doc. No.			
Version:1.0	Audit No.: 0	In Total 8 Pages	4/8

2. Features

2.1 Applications

This product has good explosion-proof function, suitable for IIA, IIB, IIC explosive gas environment and various inflammable and explosive places, mainly used in railway, electric power, metallurgy, petroleum, petrochemical, chemical, steel, aviation, ship and each Efficient lighting in factories, stations, large facilities, venues and other places.

2.2 Product Features

2.2.1. The lamp fixture is made of aluminum alloy die-casting, the surface is treated with high pressure electrostatic spray, and the exposed fasteners are made of high-preservative stainless steel. Exposed fasteners are made of stainless steel with high corrosion resistance and excellent anti-corrosion performance.

2.2.2. Adopting high-strength transparent cover, high light transmission and impact resistance. Unique anti-glare design with optical reflector for high reflection efficiency.

2.2.3. The explosion-proof structure is designed according to the national explosion-proof standard GB3836. It has reliable explosion-proof performance, long life, special constant current power supply, low power consumption and constant output power. It adopts high temperature resistant and aging resistant silicone sealing ring with high protection level.


2.2.4. Adopting international brand light source Corey chip, unidirectional illumination can effectively ensure high light utilization, high light efficiency, high index. The lamp has open circuit, short circuit and overheat protection function to ensure reliable and continuous operation of the light source, wide voltage input, constant luminous flux output, and the lamp can be started instantly.

2.2.5. Unique heat dissipation structure design, excellent heat dissipation performance could ensure long life of the lamps.

2.2.6. Top and side outlets are available for quick and easy installation.

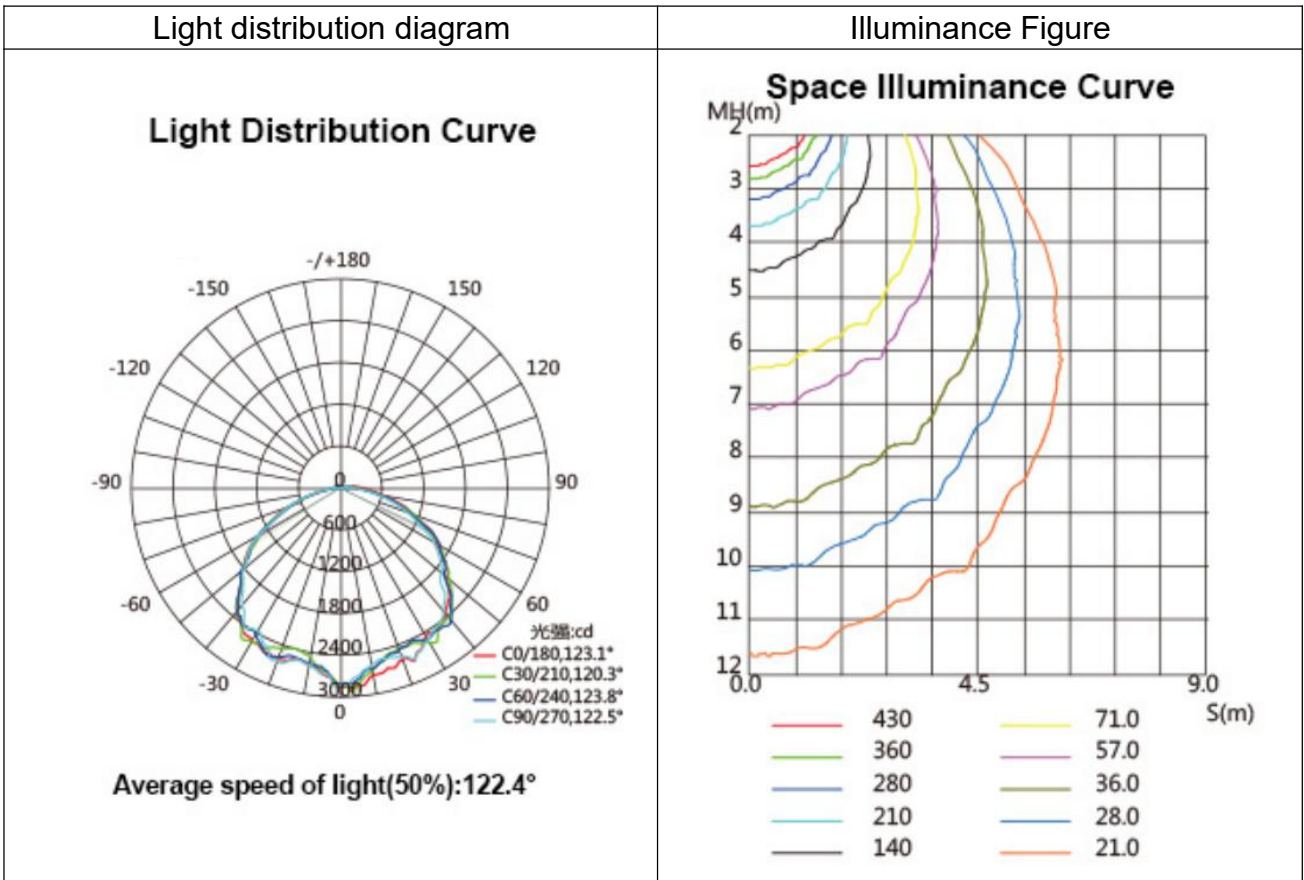
Doc. No.			
Version:1.0	Audit No.: 0	In Total 8 Pages	5/8

3. Product Parameters

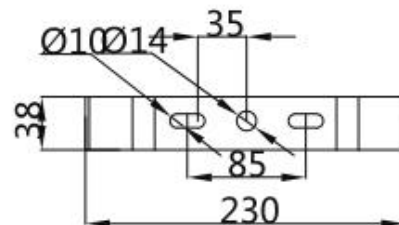
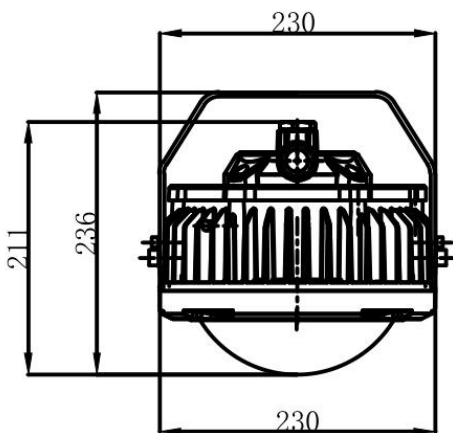
Item	Symbol	Description	Unit
Picture			
Rated Voltage	VOLT	AC110-270	V
Power	P	50w,60w,70w,80w, 90w	W
Protection Level	IP	IP66	IP
Lighting Angle	θ	120	°
LED Qty	/	80	PCS
Base specifications	/	CREE3030	
Anticorrosion grade	/	WF2	
Explosion proof grade	/	ExdIICT6	
Light efficiency	η	122.4	Lm/W
Frequency	f	50/60	Hz
Power Factor	PF	>0.95	PF
Operating Temperature	TOPR	-30~50	°C
Storage Temperature	TOPR	-30~50	°C
Light Source	/	led	
Correlate Color Temperature	Tc	3000-6500	K
Color Rendering Index	CRI	≥70	RA
LED'S Operating Life	LIFE	100000	Hours
Start-up time	T	≤0.2	S
Executive standard	/	GB3836.1、 GB3836.2	
Weight	/	5.4	KG
size	/	Φ230×211	mm

Doc. No.			
Version:1.0	Audit No.: 0	In Total 8 Pages	6/8

4. Test Report

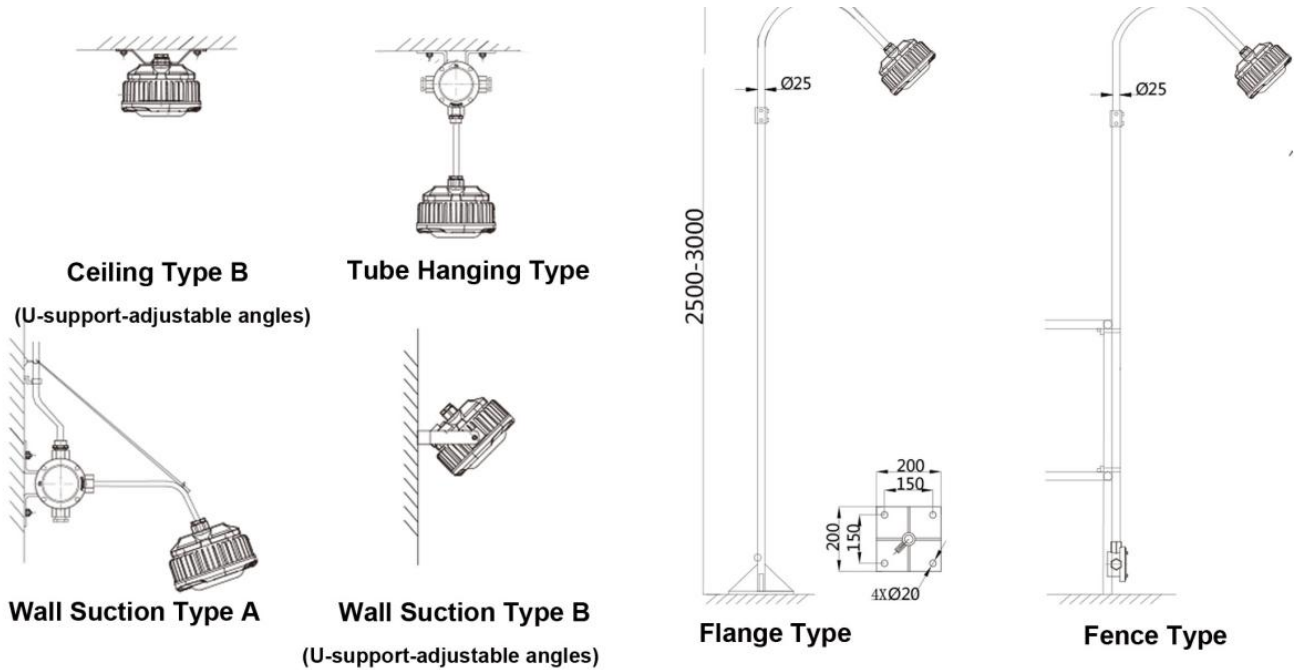


5. Dimensions



Doc. No.			
Version:1.0	Audit No.: 0	In Total 8 Pages	7/8

6.Install



7.Packaging Logistics

Name	Description	Quantity	Name	Parameter
Outer box	283*266*267mm Five-layer corrugated paper	1	N.W.	5.4kg
Foam	240*230*63mm	2	G.W.	5.9kg
Paper tray	95*95*54mm	1	Packaging method	1 piece in 1 carton



Doc. No.			
Version:1.0	Audit No.: 0	In Total 8 Pages	8/8

8. Caution

8.1 Installation Attentions

8.1.1 Before installation, it is necessary to check whether the actual operating conditions are in conformity with the parameters listed on the lamp nameplate.

8.1.2 Before installation, please test the lighting according to the parameters of the lamp nameplate to ensure that there is no quality problem before installation.

8.1.3 Before installation, it is necessary to determine the installation location and mode of the lamps according to the installation mode provided by the product, in combination with the on-site use environment and lighting requirements, so as to ensure that the installation is firm and reliable.

8.1.4 Connect the prepared cables with the input cables of lamps and lanterns according to the corresponding fire (brown), zero (blue) and ground (yellow-green) wires, so as to ensure that the connection is firm, and make good insulation and waterproof measures at the connection.

8.1.5 The input end of the cable can be connected to the power supply of the corresponding voltage to illuminate.

8.2 Using Attentions

8.2.1 This product is an explosion-proof product and can be used in explosion-proof places.

8.2.2 When transporting, the lamp should be installed in the carton equipped with foam shock absorption.

8.2.3 When using, the surface of the lamp has a certain temperature rise, which is a normal phenomenon.

8.2.4 The power supply voltage can work normally in the rated voltage. If the power supply voltage is too high, the lamp will be damaged; if the voltage is too low, the lamp will not start normally.

8.2.5 The luminaire must be reliably grounded.

8.3. Quality Assurance

The company has passed ISO9001:2008 international quality system audit certification, this product strictly implements ISO9001 international quality management system standard production, to ensure that the product quality fully meets national standards and design requirements.