

Plug and Sockets

BCZ8060 Series Explosion-proof Plug and Sockets



Can be used in

Zone 1 and Zone 2

Zone 21 and Zone 22

Class I, Zone 1 and Zone 2

Class I, Division 2, Groups A, B, C, D

◆ 2P, 3P, 4P and 5P.

◆ Only the switch in the socket cut off can plug be pulled out, power after inserting the plug.

◆ GRP(glass fibre-reinforced polyester resin).

Zones 1&2;21&22

Hazardous area	Zone1 , Zone2
Guoup of gas or vapour	II A、 II B、 II C
Temprature class	T1~T6
Application	Indoor, outdoor
Enclsure	The shell is made glass-fiber and unsatuated polyestresinc(SMC)
Exposed fastener	High quality stainless steel
Structure description	With interlocks, only if the switch insid the socket is off, the plug can be drawn out
Implementation of standards	GB3836.1、 GB3836.2、 GB3836.3 IEC60079-0、 IEC60079-1、 IEC60079-7
Ex-marking	Exed II CT6
Degree of protection	IP65
Rated voltage	AC220V/50Hz、 AC380V/50Hz
Rated current	≤ 63A
Pole number	1P+N、 3P+N、 1P+N+PE、 3P+N+PE、
Corrosion-proof	WF2
Thread of inlet and outlet	G3/4" ~G11/2"
Cable diameter	Φ 10mm~Φ 30mm

Plug and Sockets

BCZ8060 Series Explosion-proof Plug and Sockets

Applications

- A wide range of hazardous areas where ignitable vapors, dust, moisture and corrosive elements are present
- Areas requiring frequent on-and-off of lights or power cycling- no warm up time required
- Areas with high energy costs
- Typical applications include:
 - Oil and gas industries*
 - Chemical, petrochemical*
 - Pharmaceutical industries*
 - Pulp and Paper*
 - Waste and sewage treatment*

Standard Materials

Housing: GRP

Exterior: Stainless steel

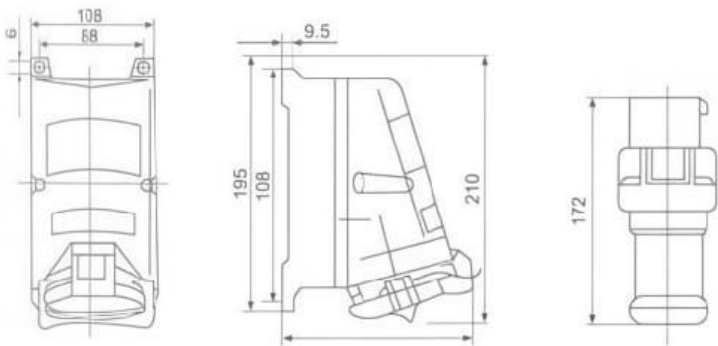
Type	Rated voltage	Rated current	Poles	Illustration	Inlet's thread	Cable's outside diameter
BCZ8060-16	220	16	1P+N+PE		3/4	3-14
	380		3P+N+PE			
BCZ8060-32	220	32	1P+N+PE		1	11-18
	380		3P+N+PE			
BCZ8060-63	220	63	1P+N+PE		1 1/2	17-28
	380		3P+N+PE			
BCZ8060-16/□L	220	16	1P+N+PE		3/4-1	9-18
	380		3P+N+PE			

Note: linker used for connecting distance-cable, linker current is only limited to 16A.

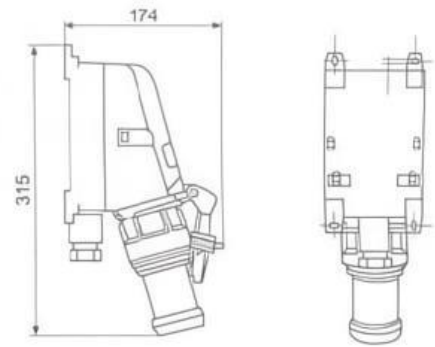
Plug and Sockets

BCZ8060 Series Explosion-proof Plug and Sockets

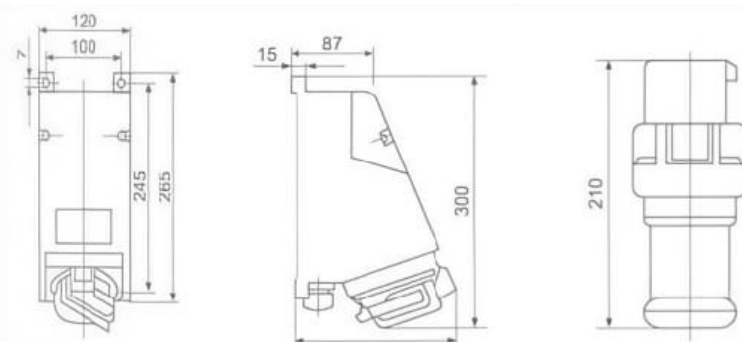
Outline and mounting example



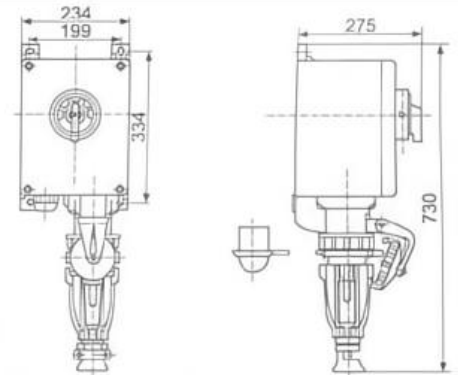
BCZ8060-16



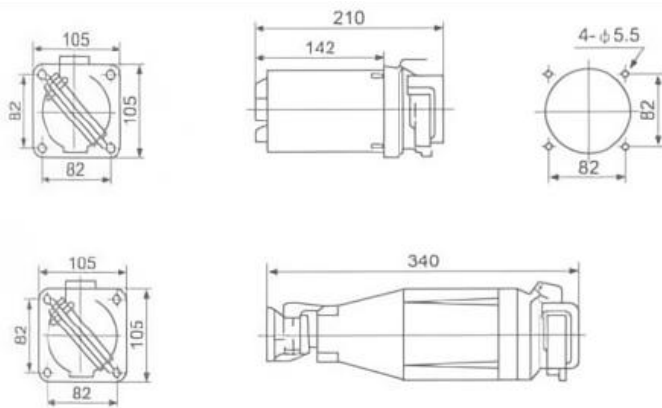
BCZ8060-16



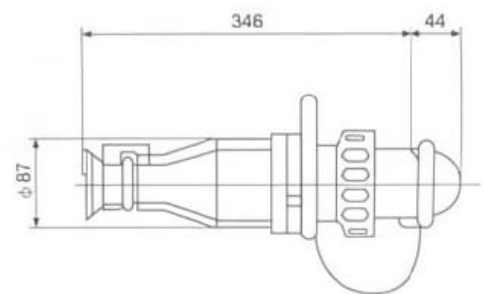
BCZ8060-32



BCZ8060-63



BCZ8060-16(连接器)



插头 Plug