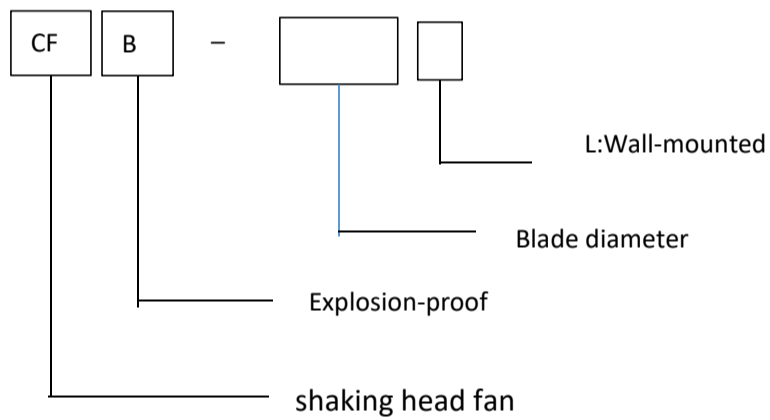




- Can be used in hazardous areas:
Zone 1 and Zone 2.
- Can be used in explosive gas atmospheres of Category IIA and IIB where the temperature classification is T1-T4.

Catalogue number logic

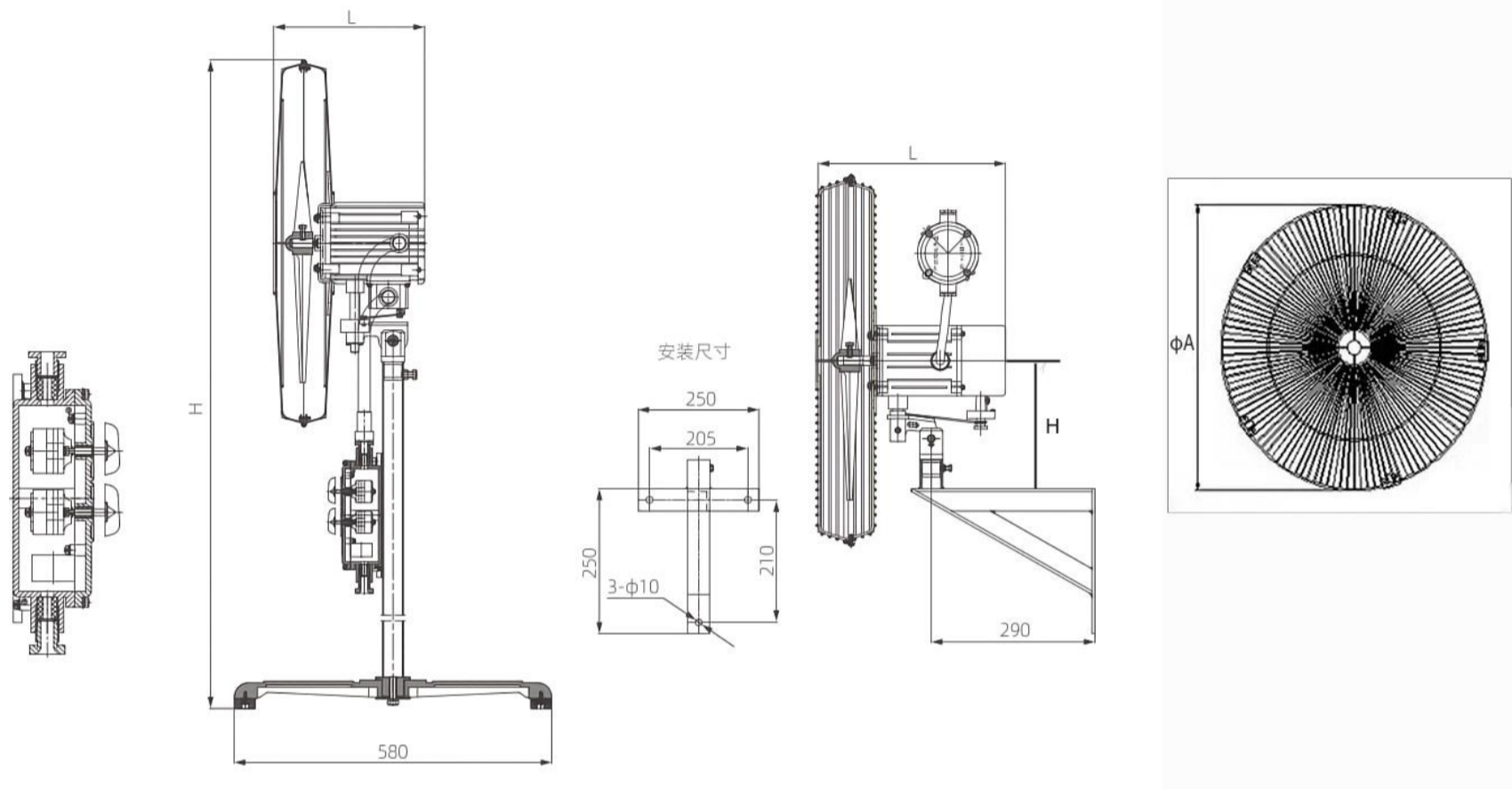


- Implementing the standard: GB3836.1-2000, GB3836.2-2000, IEC60079
- Explosion-proof mark: ExdII BT4
- Rotation speed: 1450 r/min
- Inlet's dpec: G3/4'
- Cable's spec: $\phi 9\text{mm} \sim \phi 14\text{mm}$

Type	Wattage (kw)	Volume (m3/h)	Speed (r/min)	Voltage (V)	Blade diameter
CFB-500	0.37	6600	1450	110/220/380	500
CFB-600	0.55	9600	1450	110/220/380	600
CFB-750	0.75	18000	1450	110/220/380	700
CFB-500L	0.37	6600	1450	110/220/380	500
CFB-600L	0.55	9600	1450	110/220/380	600
CFB-750L	0.75	18000	1450	110/220/380	700

Explosion Proof Fan - CFB Series

Installation size (mm)



Type	A	L	H
CFB-500	554	310	1500
CFB-600	654	310	1558
CFB-750	804	310	1658
CFB-500L	554	310	260
CFB-600L	654	310	260
CFB-750L	804	310	260