



Plug and Socket

EX-CZ81-16/EX-CZ81-32



FEATURES

Copper free aluminum explosion-proof enclosure.
 Plastic-sprayed surface.
 Three types of enclosures optional.
 Plugs shall be only pulled out when switch is off;
 turn on the power after inserting the plug.
 Degree of protection: IP66/ IP67.

APPLICATION

	ATEX / IECEx					
Zone	0	1	2	20	21	22
For use in		x	x		x	x

	UL1203					
	Class I		Class II		Class III	
Division	1	2	1	2	1	2
For use in	x	x	x	x	x	x

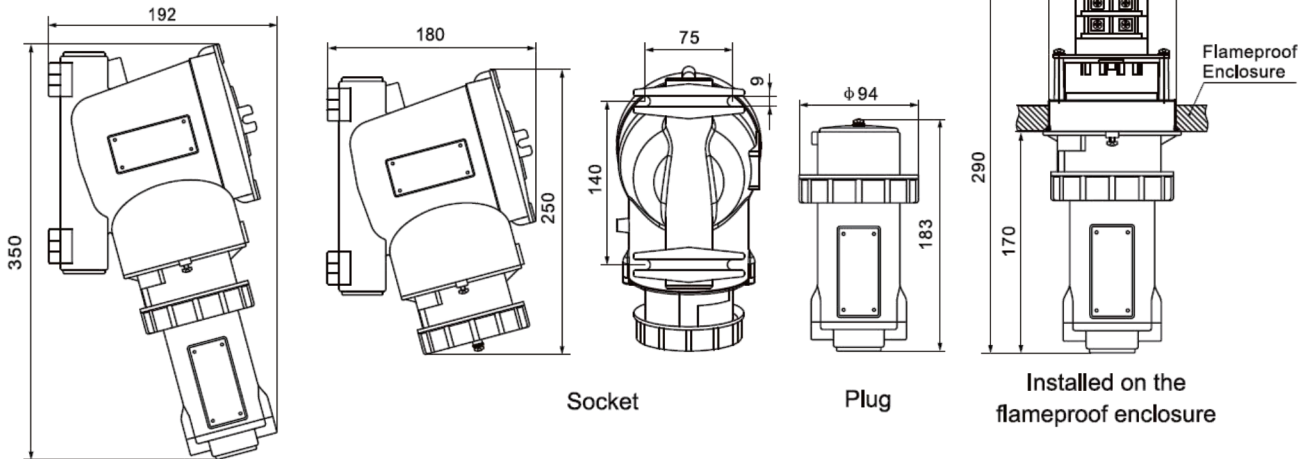
ORDERING GUIDE

EX-CZ81	-□	-□	-□	-□
Aluminum Alloy Ex-proof Plug and Socket	Rated Current (A)	Rated Voltage(V)	Pole Number	Z: Socket T: Plug
		130: 100~130, 57/100~75/130 250: 200~250, 120/208~144/250 415: 380~415, 200/346~240~415 500: 480~500, 277/480~288/500 690: 600~690, 347/600~400/690	3P(2P+PE) 4P(3P+PE) 5P(3P+N+PE)	

TECHNICAL DATA

Marking ATEX	II 2 G Ex db IIC T6 Gb II 2 D Ex tb IIIC T80°C Db IP66/IP67
Marking IECEx	Ex db IIC T6 Gb Ex tb IIIC T80°C Db IP66/IP67
Marking UL1203	Class I, Division 1, Groups B, C, D Class I, Division 2, Groups B, C, D Class II, Division 1, Groups E, F, G Class II, Division 2, Groups F, G Class III
Standard	EN 60079-0, EN 60079-1, EN 60079-31; IEC 60079-0, IEC 60079-1, IEC 60079-31
Socket Cable Entry	EX-CZ81-16: 2×M25×1.5(3P/4P), 2×M32×1.5(5P); EX-CZ81-32: 2×M32×1.5
Plug Cable Entry	EX-CZ81-16: 1×M25×1.5(3P/4P), 1×M32×1.5(5P); EX-CZ81-32: 1×M32×1.5
Cable Cross-sectional Area	EX-CZ81-16: 2.5 mm ² ~4 mm ² ; EX-CZ81-32: 4 mm ² ~6 mm ²
Ambient Temperature	-60°C to +55°C

DIMENSION (Unit: mm)



Plug and Sockets



Plug and Socket

EX-CZ81-16/EX-CZ81-32

Page 2 of 8

SPECIFICATION OF EX-CZ81-16

Voltage	Current	Pole number	Sketch Map	H
AC: 100-130V	16A	2P+PE		4
AC: 200-250V				6
AC: 100-130V		3P+PE		4
AC: 200-250V				9
AC: 380-415V				6
AC: 480-500V				7
AC: 600-690V				5
AC: 57/100-75/130V			3P+N+PE	
AC: 120/208-144/250V				9
AC: 200/346-240/415V				6
AC: 277/480-288/500V				7
AC: 347/600-400/690V				5

SPECIFICATION OF EX-CZ81-32

Voltage	Current	Pole number	Sketch Map	H
AC: 200-250V	32A	2P+PE		6
AC: 200-250V				9
AC: 380-415V		3P+PE		6
AC: 480-500V				7
AC: 600-690V				5
AC: 120/208-144/250V			3P+N+PE	
AC: 200/346-240/415V				6
AC: 277/480-288/500V				7
AC: 347/600-400/690V				5

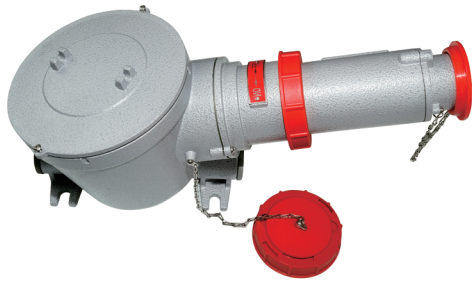
PACKING INFORMATION

Product Model Number	Packing Size	Net Weight
EX-CZ81-16/PEX-CZ81-32	462x292x198mm	4.67kg



Plug and Socket

EX-CZ81-63



FEATURES

Copper free aluminum explosion-proof enclosure.
 Plastic-sprayed surface.
 Three types of enclosures optional.
 Plugs shall be only pulled out when switch is off;
 turn on the power after inserting the plug.



APPLICATION

Zone	ATEX / IECEx					
	0	1	2	20	21	22
For use in		x	x		x	x

Division	UL1203					
	Class I		Class II		Class III	
	1	2	1	2	1	2
For use in	x	x	x	x	x	x

ORDERING GUIDE

EX-CZ81	-□	-□	-□	-□
Aluminum Alloy Ex-proof Plug and Socket	Rated Current (A)	Rated Voltage(V)	Pole Number	Z: Socket T: Plug
		130: 100~130, 57/100~75/130 250: 200~250, 120/208~144/250 415: 380~415, 200/346~240~415 500: 480~500, 277/480~288/500 690: 600~690, 347/600~400/690	3P(2P+PE) 4P(3P+PE) 5P(3P+N+PE)	

TECHNICAL DATA

Marking ATEX	II 2 G Ex db IIC T6 Gb II 2 D Ex tb IIIC T80°C Db IP66/IP67
Marking IECEx	Ex db IIC T6 Gb Ex tb IIIC T80°C Db IP66/IP67
Marking UL1203	Class I, Division 1, Groups B, C, D Class I, Division 2, Groups B, C, D Class II, Division 1, Groups E, F, G Class II, Division 2, Groups F, G Class III
Standard	EN 60079-0, EN 60079-1, EN 60079-31 IEC 60079-0, IEC 60079-1, IEC 60079-31
Ambient Temperature	-60°C to +55°C
Rated Voltage	See the Table Below
Rated Current	63A
Degree of Protection	IP66-IP67
Socket Cable Entry	2×M40×1.5
Plug Cable Entry	1×M50×1.5
Cable Cross-sectional Area	10mm ² ~16mm ²



Plug and Socket

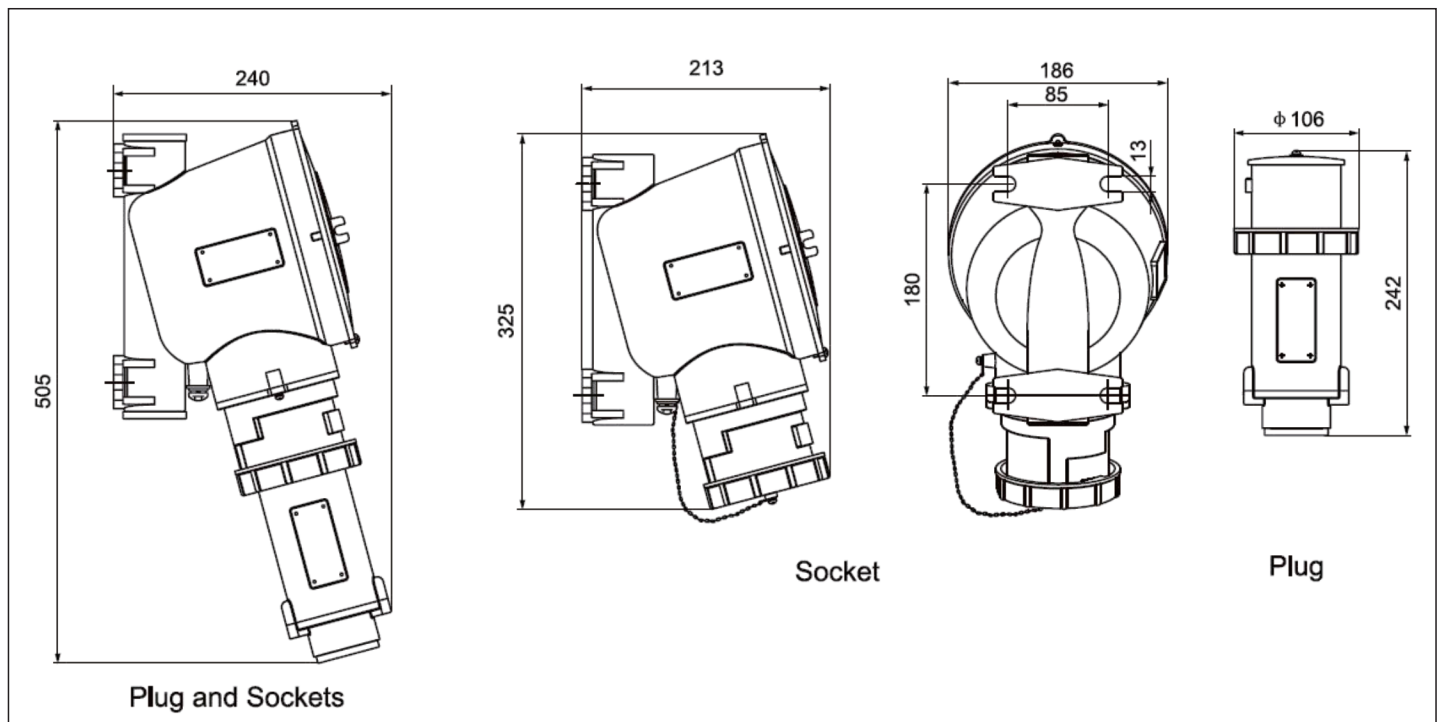
EX-CZ81-63

SPECIFICATION OF EX-CZ81-63

Voltage	Current	Pole number	Sketch Map	H
AC: 200-250V	63A	3P+PE		9
AC: 380-415V				6
AC: 480-500V				7
AC: 600-690V				5
AC: 200/346-240/415V		3P+N+PE		6
AC: 277/480-288/500V				7

DIMENSION

(Unit: mm)



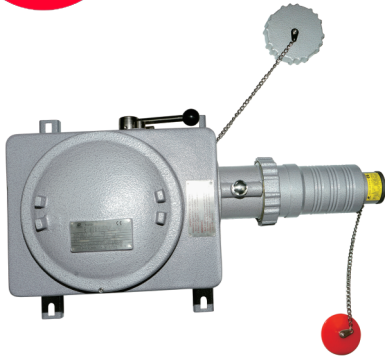
PACKING INFORMATION

Product Model Number	Packing Size
EX-CZ81-63	652x362x258mm



Plug and Socket

EX-CZ81-125



FEATURES

Copper free aluminum explosion-proof enclosure.
Plastic-sprayed surface.
Three types of enclosures optional.
Plugs shall be only pulled out when switch is off;
turn on the power after inserting the plug.



APPLICATION

Zone	ATEX / IECEx					
	0	1	2	20	21	22
For use in		x	x		x	x

Division	UL1203					
	Class I		Class II		Class III	
For use in	1	2	1	2	1	2
	x	x	x	x	x	x

ORDERING GUIDE

EX-CZ81	-□	-□	-□	-□
Aluminum Alloy Ex-proof Plug and Socket	Rated Current (A)	Rated Voltage(V)	Pole Number	Z: Socket T: Plug
		130: 100~130, 57/100~75/130 250: 200~250, 120/208~144/250 415: 380~415, 200/346~240~415 500: 480~500, 277/480~288/500 690: 600~690, 347/600~400/690	3P(2P+PE) 4P(3P+PE) 5P(3P+N+PE)	

TECHNICAL DATA

Marking ATEX	II 2 G Ex db IIC T6 Gb II 2 D Ex tb IIIC T80°C Db IP66/IP67
Marking IECEx	Ex db IIC T6 Gb Ex tb IIIC T80°C Db IP66/IP67
Marking UL1203	Class I, Division 1, Groups B, C, D Class I, Division 2, Groups B, C, D Class II, Division 1, Groups E, F, G Class II, Division 2, Groups F, G Class III
Standard	EN 60079-0, EN 60079-1, EN 60079-31 IEC 60079-0, IEC 60079-1, IEC 60079-31
Ambient Temperature	-60°C to +55°C
Rated Voltage	See the Table Below
Rated Current	125A
Degree of Protection	IP66-IP67
Socket Cable Entry	1×M63×1.5
Plug Cable Entry	1×M50×1.5
Cable Cross-sectional Area	25mm ² ~35mm ²



Plug and Socket

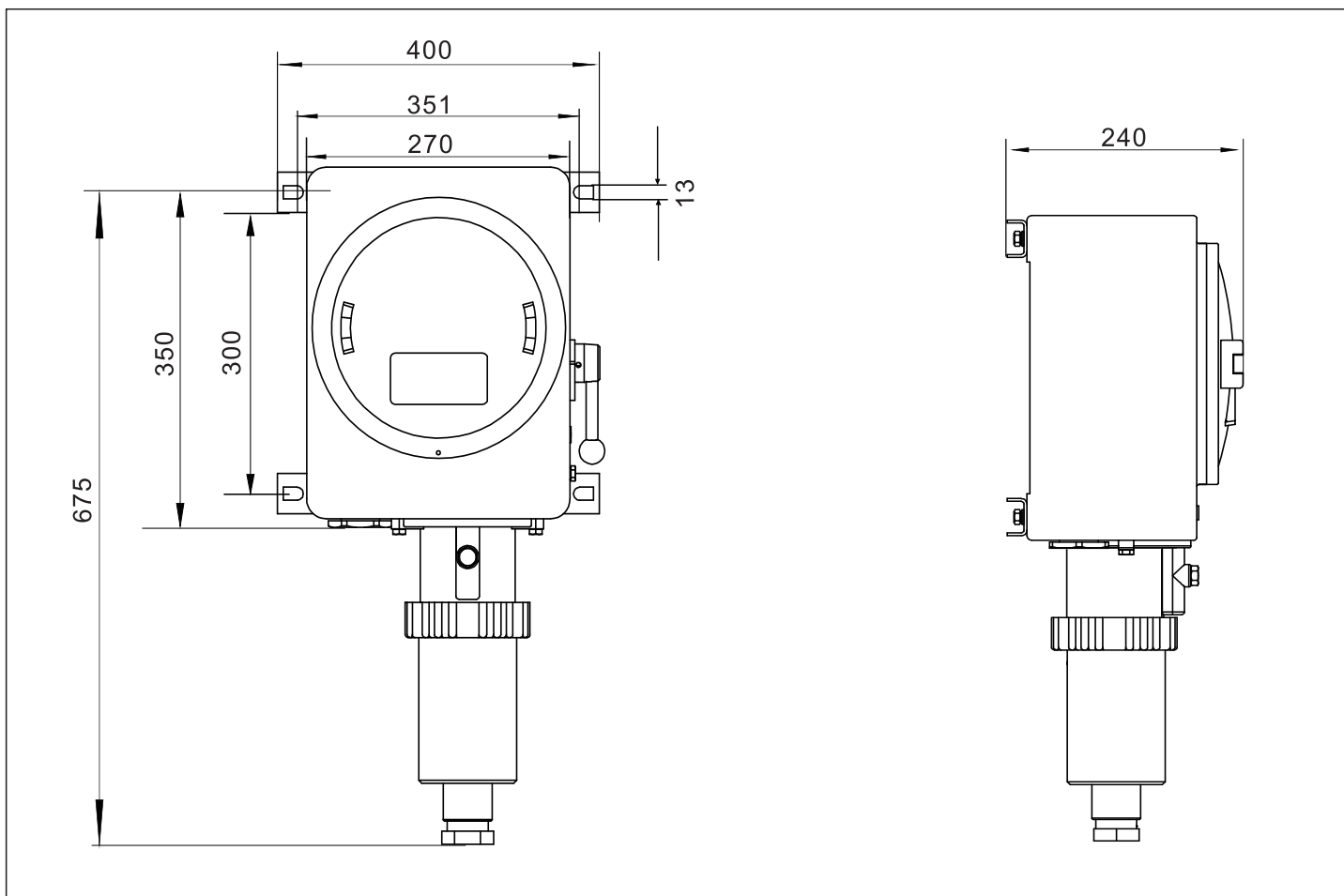
EX-CZ81-125

SPECIFICATION OF EX-CZ81-125

Voltage	Current	Pole number	Sketch Map	H
AC: 200-250V	125A	3P+PE		9
AC: 380-415V				6
AC: 480-500V				7
AC: 600-690V				5
AC: 200/346-240/415V		3P+N+PE		6
AC: 277/480-288/500V				7

DIMENSION

(Unit: mm)



PACKING INFORMATION

Product Model Number	Packing Size
EX-CZ81-125	780x430x320mm



Plug and Socket

Introduction of the voltage, number of pole, clock position and colour of explosion-proof plug and sockets

Plug and Sockets are in compliance with the following international standards: IEC60309-1 & IEC60309-2, CEIEN60309-1 & CEIEN60309-2. They are also in compliance with the standards: VDE0623 & Bs4343.

Position of the earthing contact according to IEC60309-2					
Number of contacts	Type	Frequency (Hz)	Rated operating voltage (V)	Accessories' earthing-contact position a)	
				16/20 A 32/30 A	63/60 A 125/100 A
3 contacts	1 P+N+E Series II	50 and 60	100 to 130	4	4
			277	5	5
	2P+E Series I and II	50 and 60	100 to 130	4	4
			200 to 250	6	6
		50 and 60	380 to 415	9	9
			480 to 500	7	7
		Supply from an isolating transformer		12	12
		100 up to and including 300	Over 50	10	10
		Over 300 up to and including 500	Over 50	2	2
		DC	Over 50 up to and including 250 d)	3	3
Over 250	8		8		
4 contacts	2P+N+E Series II	50 and 60	125/250 single-phase	12	12
	Series I	50 and 60	Supply from an isolating transformer	12	12
	3P+E Series I and II	50 and 60	100 to 130	4	4
			200 to 250	9	9
		60	380 to 415	6	6
			440 to 460 b)	11	11
		50 and 60	480 to 500	7	7
			600 to 690	5	5
		50	380	3	3
		60	440 c)	3	3
		50 and 60	1000	8	8
		100 up to and including 300	Over 50	10	10
	Over 300 up to and including 500	Over 50	2	2	
5 contacts	3P+N+E Series I and II	50 and 60	57/100 to 75/130	4	4
			120/208 to 144/250	9	9
			200/346 to 240/415	6	6
			277/480 to 288/500	7	7
			347/600 to 400/690	5	5
		60	250/440 to 265/460 b)	11	11
		50	220/380	3	3
60	250/440 c)	3	3		
5 contacts (continued)	3P+N+E Series I and II (continued)	50 and 60	1000	8	8
		50 and 60	Supply from an isolating transformer	12	12
		100 up to and including 300	Over 50	10	10
		Over 300 up to and including 500	Over 50	2	2
All types		All rated operating voltages and/or frequencies not covered by other configurations. This clock position can additionally be used in special applications where a distinction to standardized positions is needed.	1	1	

